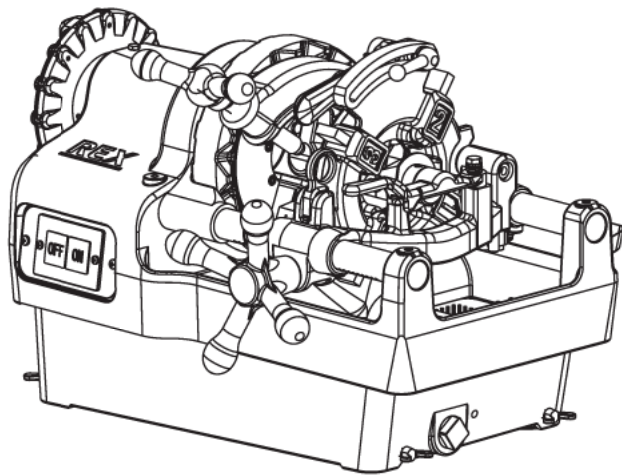


REX
PIPE THREADING MACHINE

NT50A

PARTS LIST

As of December 2010

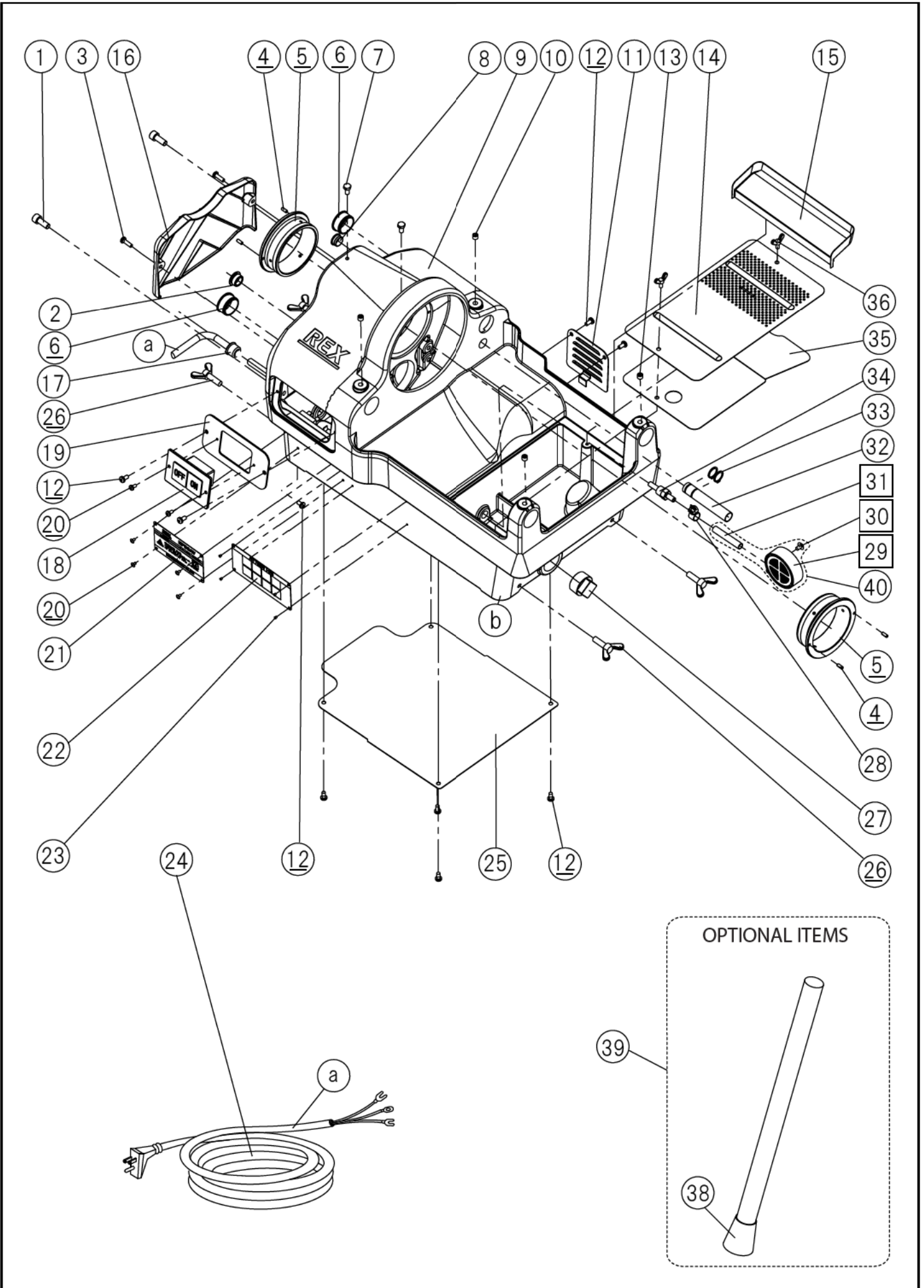


CONTENTS

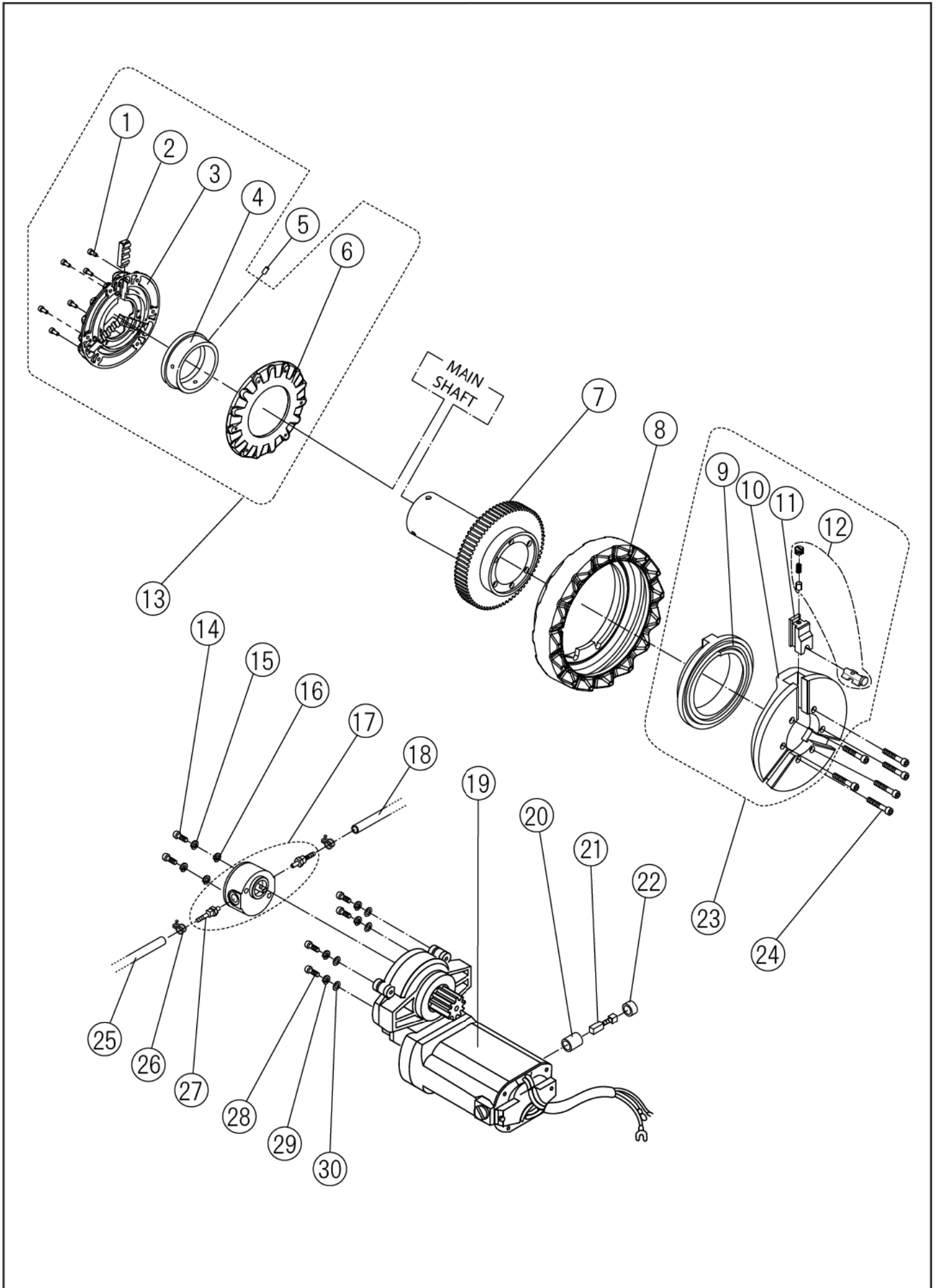
1. BASE
2. MAIN SHAFT, MOTOR
3. MOTOR ASSEMBLY
4. CARRIAGE
5. CUTTER , REAMER
6. MANUAL DIE HEAD 1/2" - 2"

REX

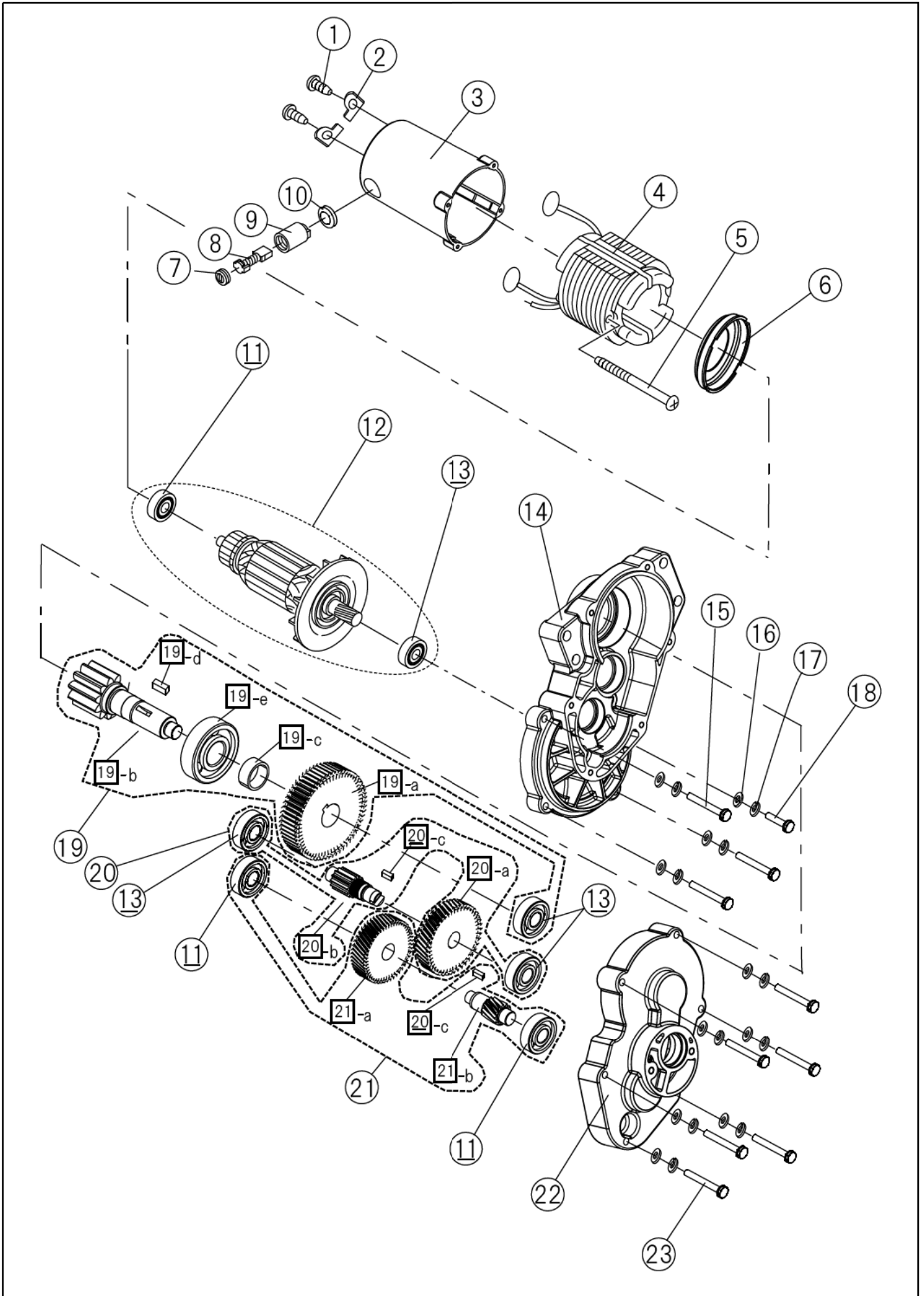
NT50A - 1. BASE



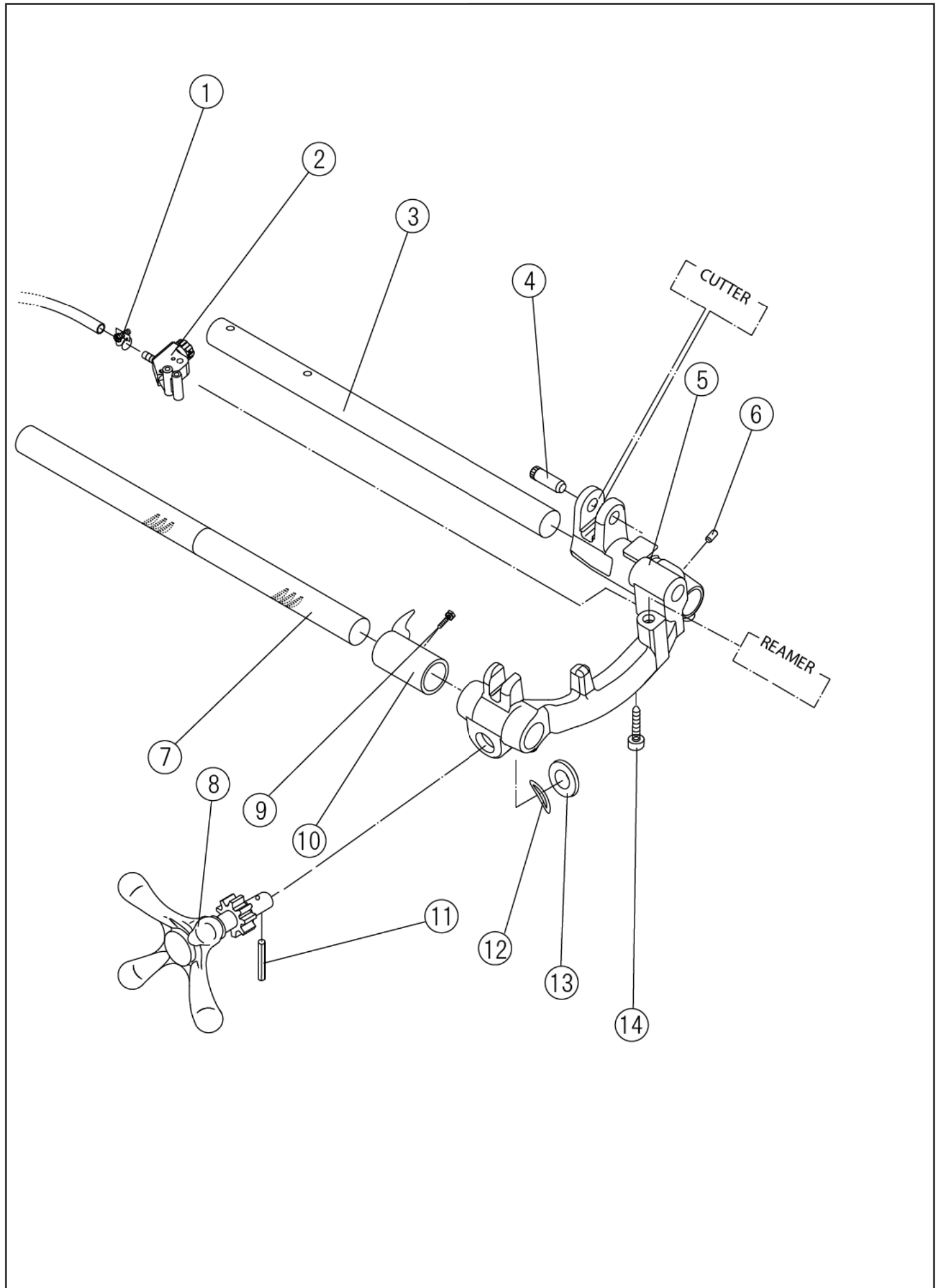
NT50A - 2. MAIN SHAFT, MOTOR



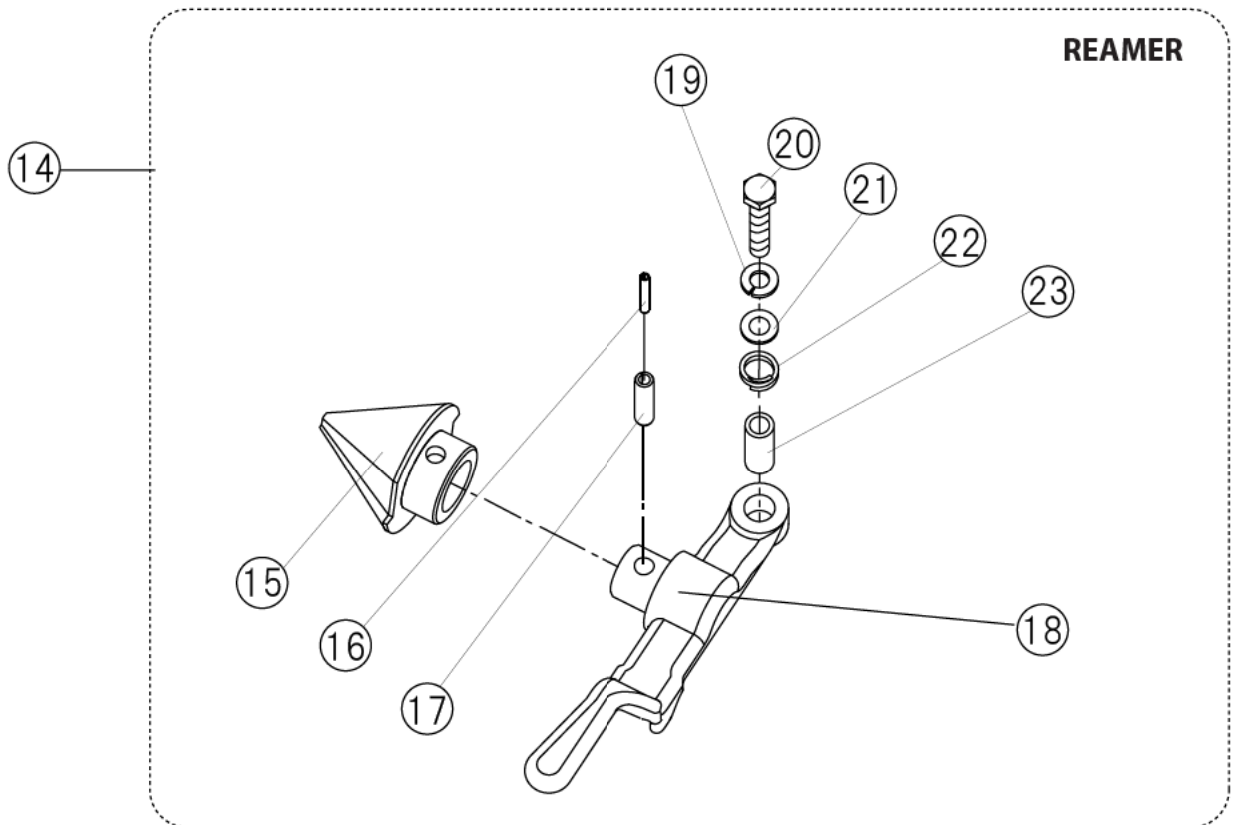
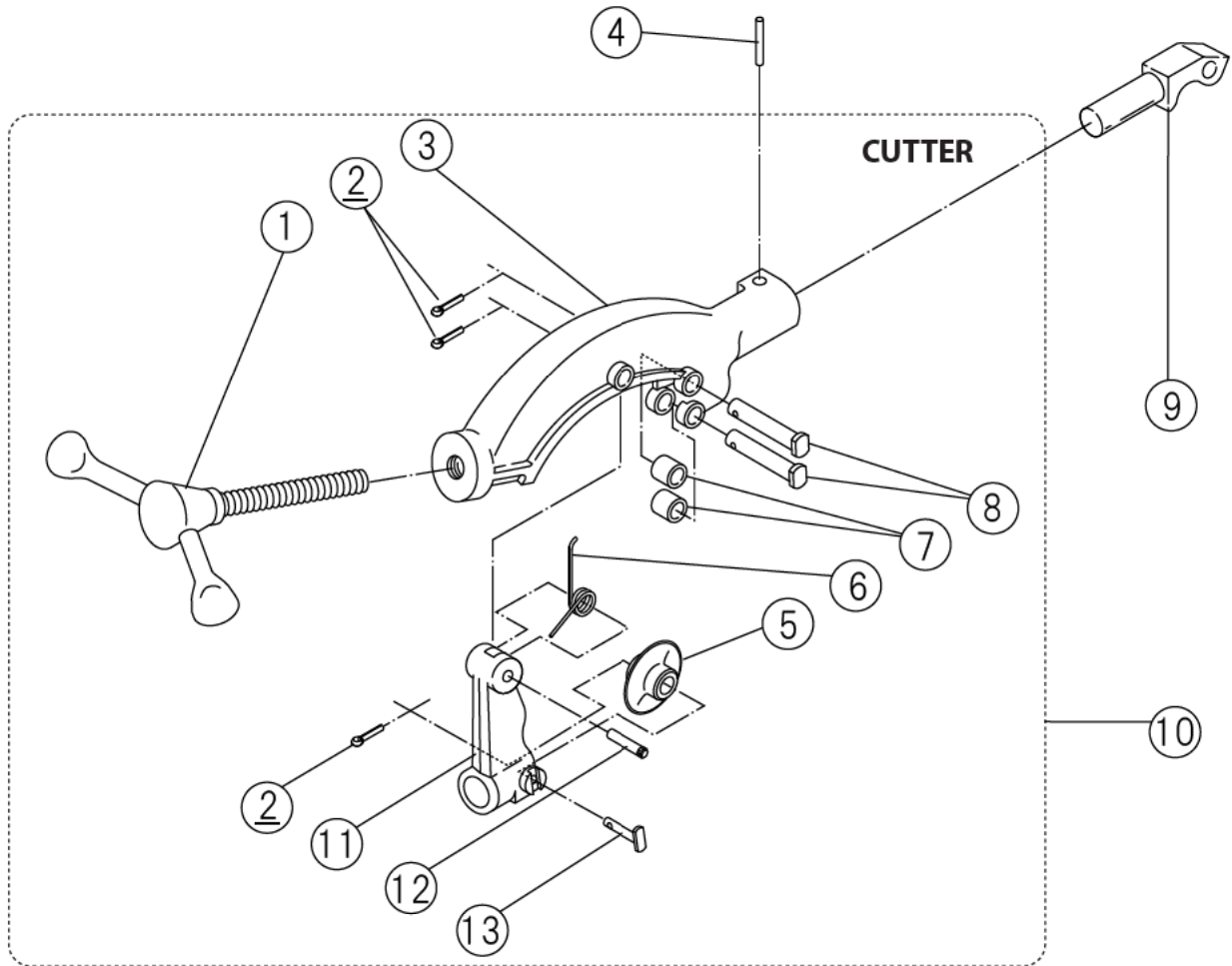
NT50A - 3. MOTOR ASSEMBLY



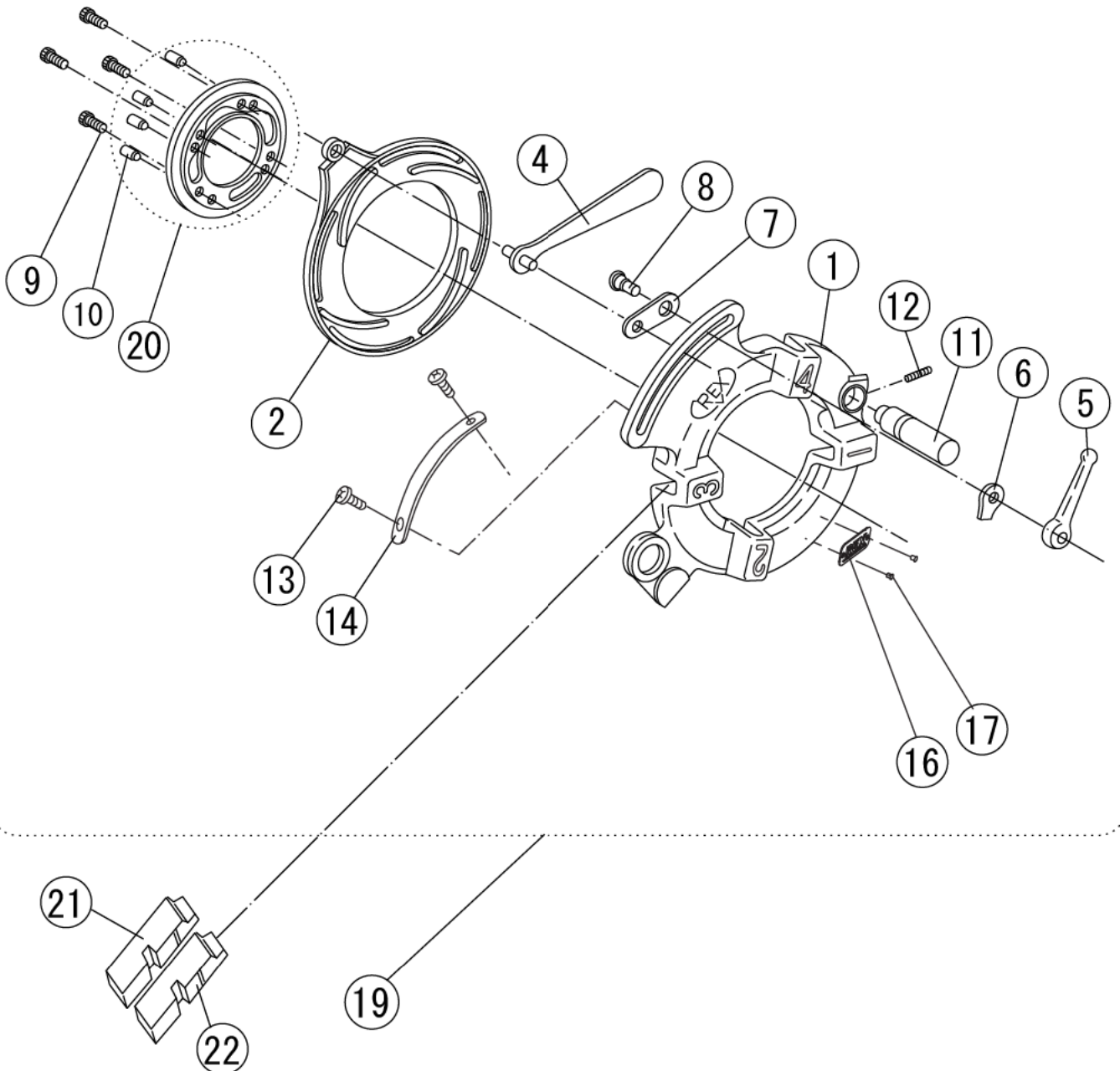
NT50A - 4. CARRIAGE



NT50A - 5. CUTTER, REAMER (WITHOUT HAND GRIP)



NT50A - 6. MANUAL DIE HEAD 1/2" - 2"



REX
www.rexind.co.jp

REX INDUSTRIES CO., LTD.

Overseas Sales Section & Factory :
1-9-3, Hishiyahigashi, Higashi Osaka 578-0948, Japan.
Tel.: 81 - 72 - 961 - 9820 Fax.: 81 - 72 - 961 - 9878

URL <http://www.rexind.co.jp>

P.L.NT50A-E 1
1102R 0000